

8

7

6

5

4

3

2

1

F

E

D

C

B

A

F

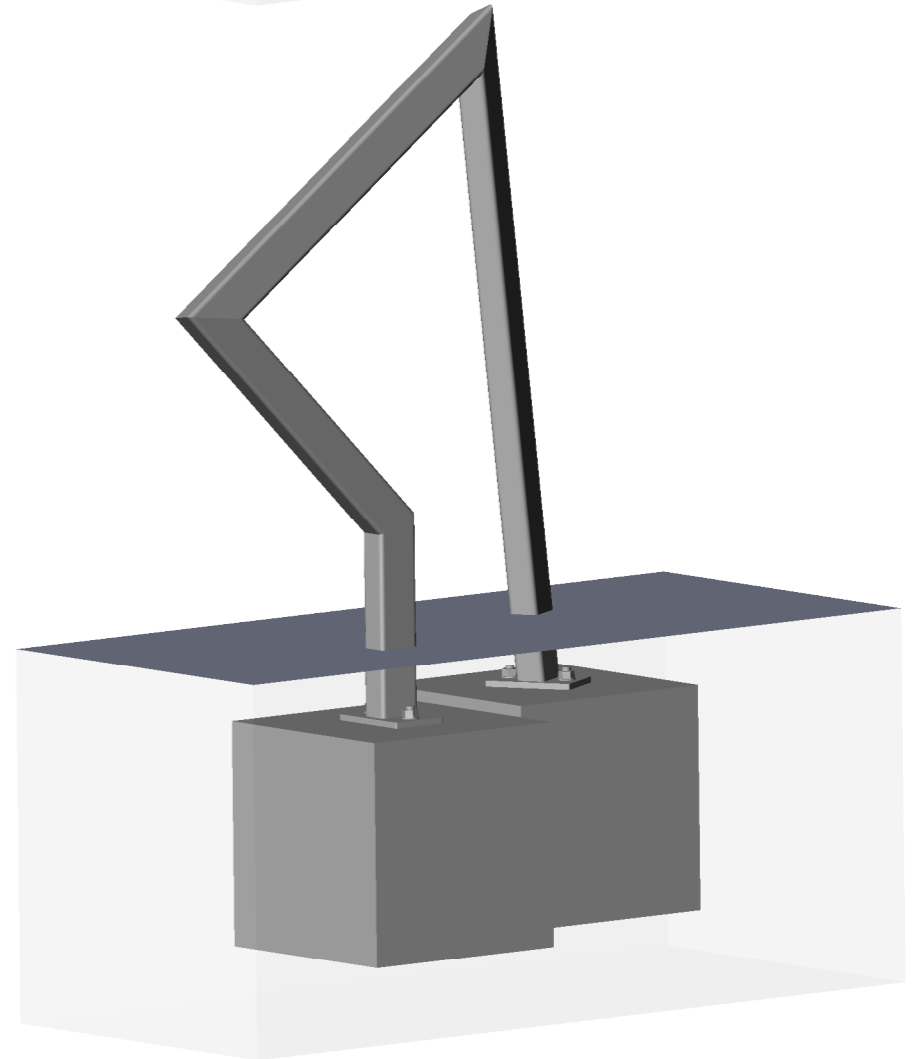
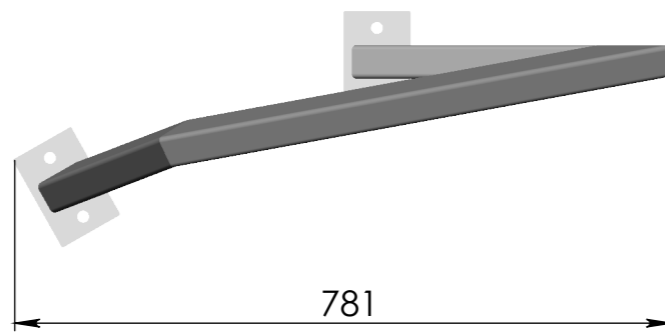
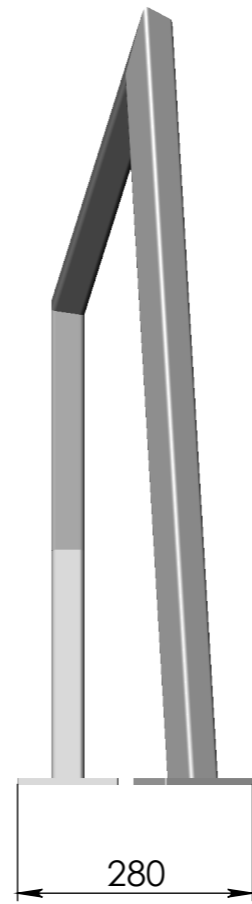
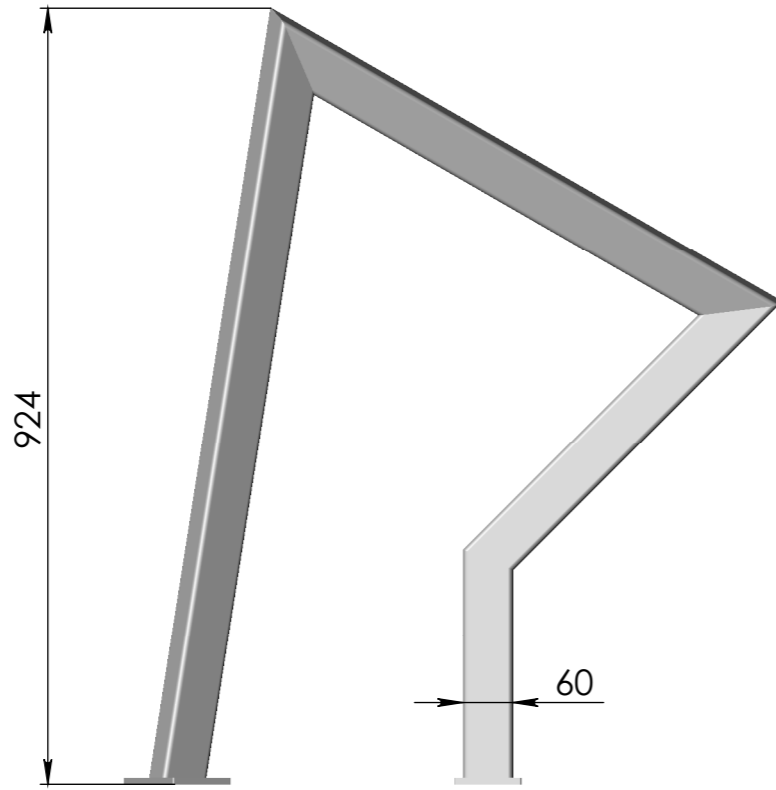
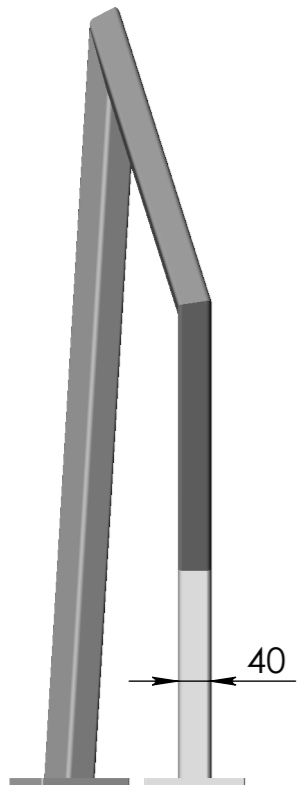
E

D

C

B

A



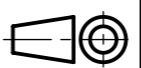
**GENERAL TOLERANCES**

*Dimension range*

LENGTH DIMENSIONS	>0.5 ≤3	3 6	6 30	30 120	120 315	315 1000	1000 2000	2000 4000	4000 8000	8000 12000	12000 16000	16000 20000	20000
Cutting	±0.2	±0.5	±0.8	±1.2	±2	±3	±4	±5	±6	±7	±8		
Welding			±2	±2	±3	±4	±6	±8	±10	±12	±14	±16	

Material:

Projection



Square: m<sup>2</sup> Weight:

Draving №:  
**GM-K1**

Sheet:

